

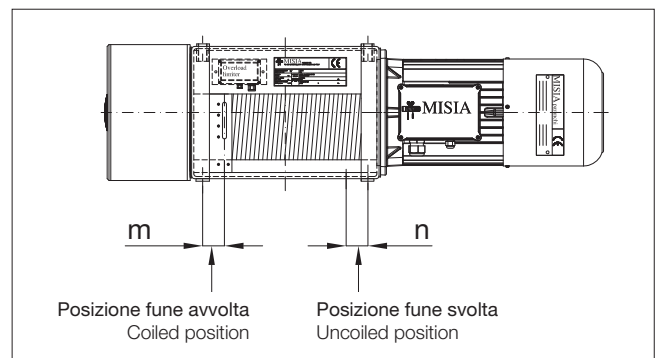
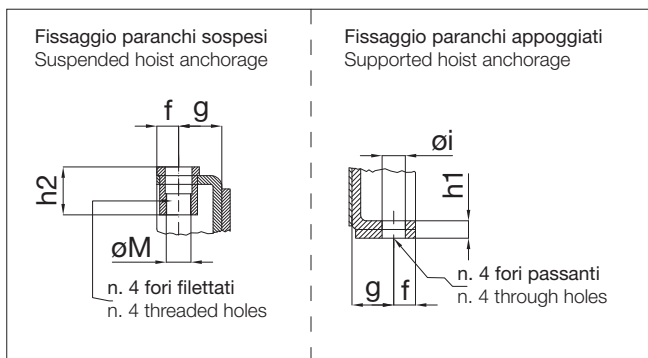
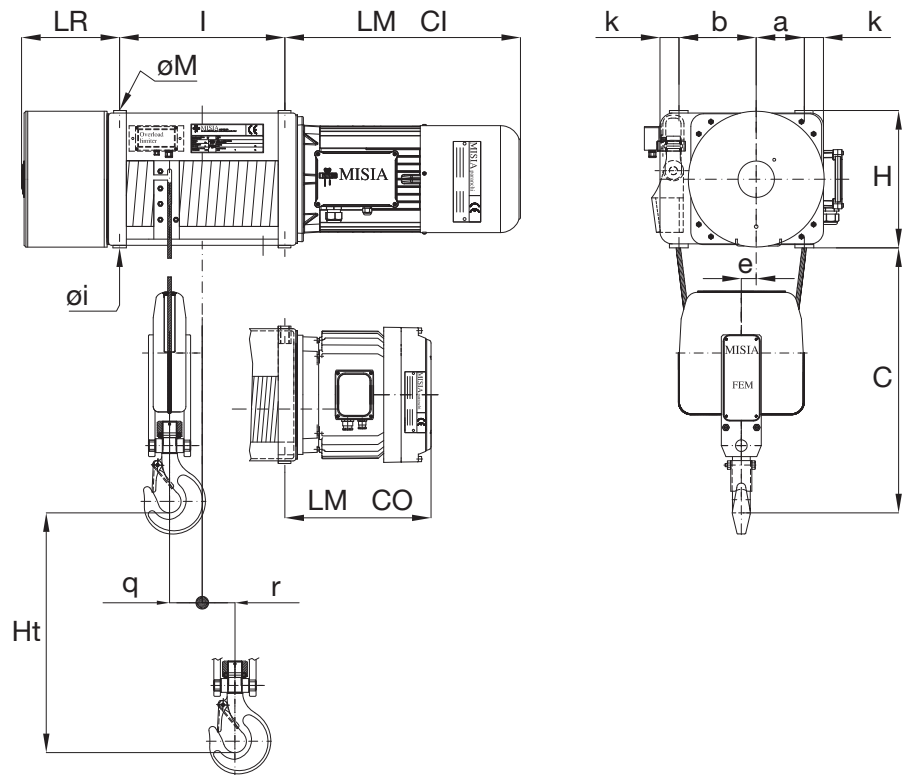
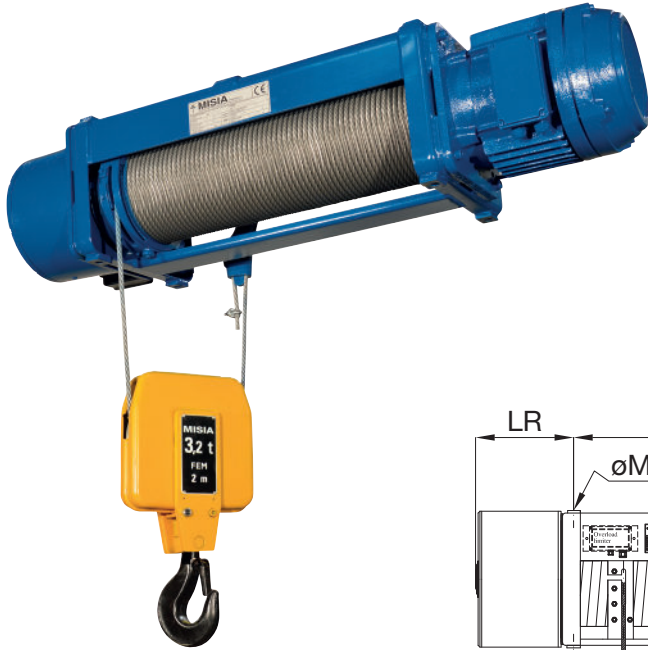


PARANCO A PIEDINI
FOOT MOUNTED HOIST

Paranchi standard SERIE XM
XM SERIES standard hoists

XM 308 / 312 / 316 / 525
Portata Capacity 1÷5 t

S2 2 TIRI DI FUNE (2/1) - 2 ROPE FALLS (2/1)
Tipo 5 APPOGGIATO - SUPPORTED
Tipo 5C1 SOSPESO - SUSPENDED





PARANCO A PIEDINI
FOOT MOUNTED HOIST

Paranchi standard SERIE XM
XM SERIES standard hoists

XM 308 / 312 / 316 / 525
Portata Capacity 1÷5 t

S2 2 TIRI DI FUNE (2/1) - 2 ROPE FALLS (2/1)
Tipo 5 APPOGGIATO - SUPPORTED
Tipo 5C1 SOSPESO - SUSPENDED

Dimensioni fisse Fixed dimensions

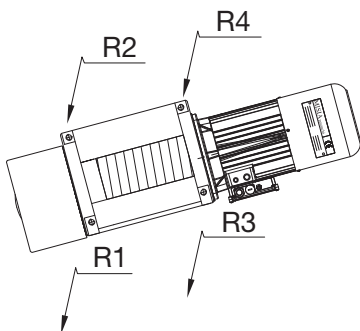
Portata WLL	Gruppo Group	Paranco Hoist type	C	H	a	b	(a+b)	k	e	øi	f	g	øM	h1	h2	m	n
Kg	FEM	XM	mm	mm	mm	mm	mm	mm	mm	mm	mm	mm	M	mm	mm	mm	mm
1000	3m	308 - 2/1	570	325	105	190	295	50	53	15	19	27	M14	13	28	45	48
1600	2m	308 - 2/1	570	325	105	190	295	50	53	15	19	27	M14	13	28	45	48
2500	2m	312 - 2/1	640	325	105	190	295	50	40	17	19	27	M20	13	34	48	56
3200	2m	316 - 2/1	640	325	105	190	295	50	40	17	19	27	M20	13	34	48	56
5000	2m	525 - 2/1	730	380	133	212	345	53	41	21	21	31	M24	18	48	60	61

Dimensioni variabili Variable dimensions

Portata WLL	Gruppo Group	Paranco Hoist type	Corsa gancio Hook travel	l	q	r	LMCI				LMCO				LR	Peso Weight	
Kg	FEM	XM	m	mm	mm	mm	mm N	mm V	mm NA	mm VA	mm N	mm V	mm NA	mm VA		Kg	
1000	3m	308 - 2/1	10	395	91	61	460	460	490	490	315	375	385	420	200		210
			14	520	154												300
			20	700	244												320
			26	885	377												355
2500	2m	312 - 2/1	10	440	90	77	460	460	490	565	375	420	420	420	250		350
			14	570	155												370
			20	775	258												390
			26	975	358												415
3200	2m	316 - 2/1	10	440	90	77	460	565	500	565	375	/	420	/	250		375
			14	570	155												400
			20	775	258												425
			26	975	358												450
5000	2m	525 - 2/1	10	455	90	78	600	650	600	650	415	465	460	505	270		460
			14	590	157												480
			20	795	260												520
			26	995	360												560

Reazioni statiche Static reactions

S2 - XM 308 / 312 / 316 / 525
PARANCHI TIPO 5 / TIPO 5C1 - HOISTS TYPE 5 / 5C1



Paranco Hoist type	Portata WLL	Corse gancio Hook travel															
		H10				H14				H20				H26			
		R1 daN	R2 daN	R3 daN	R4 daN	R1 daN	R2 daN	R3 daN	R4 daN	R1 daN	R2 daN	R3 daN	R4 daN	R1 daN	R2 daN	R3 daN	R4 daN
308	1000	381	440	164	190	415	478	136	156	444	512	115	134	463	534	104	119
308	1600	585	675	239	276	637	734	192	222	681	784	158	182	708	817	137	158
312	2000	781	756	360	348	856	827	296	286	924	893	238	230	965	934	209	202
312	2500	960	929	435	421	1052	1017	354	342	1135	1098	281	271	1186	1146	243	235
316	3200	1218	1177	547	528	1334	1290	443	428	1441	1393	349	337	1503	1454	299	289
525	3200	1201	1221	566	577	1315	1338	462	470	1423	1447	374	381	1488	1515	328	334
525	4000	1477	1504	686	698	1619	1647	555	564	1751	1781	443	450	1830	1862	383	390
525	5000	1823	1855	836	851	1999	2033	670	683	2161	2198	528	538	2257	2297	451	460

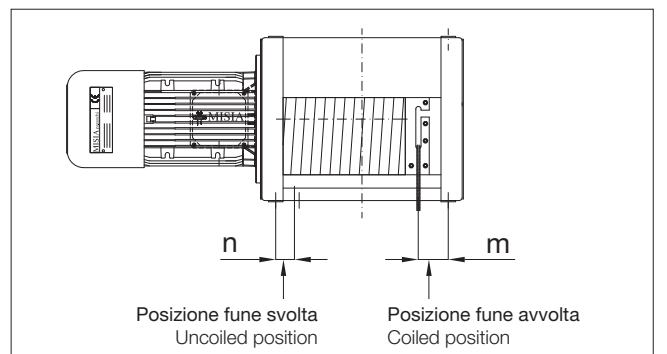
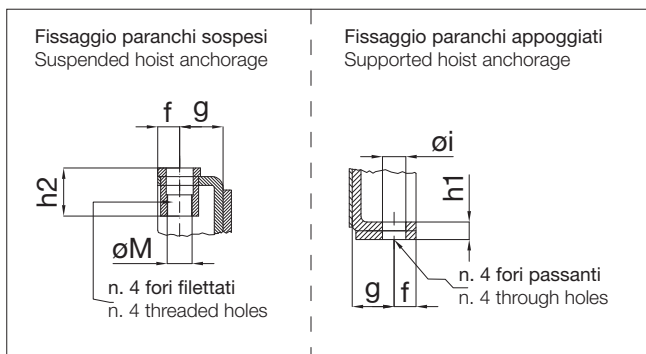
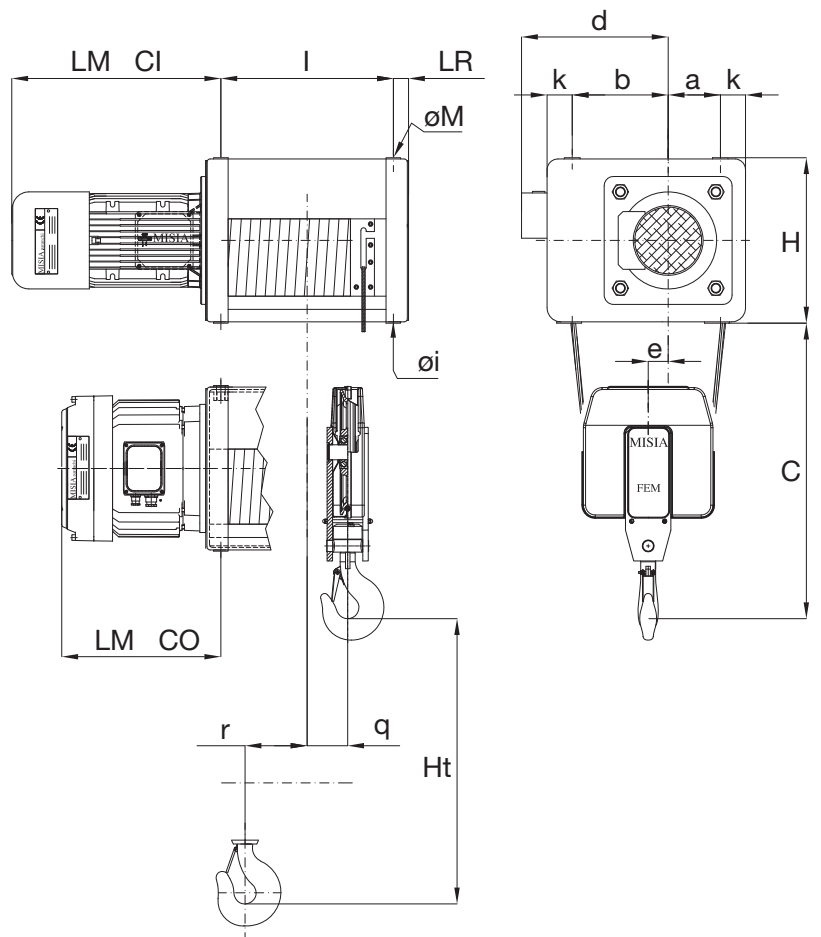


PARANCO A PIEDINI
FOOT MOUNTED HOIST

Paranchi standard SERIE XM
XM SERIES standard hoists

XM 740 / 750 / 963 / 980 / 1100 / 1125
Portata Capacity **6,3÷25 t**

S2 2 TIRI DI FUNE (2/1) - 2 ROPE FALLS (2/1)
Tipo 5 APPOGGIATO - SUPPORTED
Tipo 5C1 SOSPESO - SUSPENDED





PARANCO A PIEDINI
FOOT MOUNTED HOIST

Paranchi standard SERIE XM
XM SERIES standard hoists

XM 740 / 750 / 963 / 980 / 1100 / 1125
Portata Capacity **6,3÷25 t**

S2 2 TIRI DI FUNE (2/1) - 2 ROPE FALLS (2/1)
Tipo 5 APPOGGIATO - SUPPORTED
Tipo 5C1 SOSPESO - SUSPENDED

Dimensioni fisse Fixed dimensions

Portata WLL	Gruppo Group	Paranco Hoist type	C	H	a	b	(a+b)	d	k	e	øi	f	g	øM	h1	h2	m	n
Kg	FEM	XM	mm	mm	mm	mm	mm	mm	mm	mm	mm	mm	mm	mm	mm	mm	mm	mm
6300	3m	740 - 2/1	840	530	168	307	475	470	81	64	25	24	45	M27	12	47	65	85
8000	2m	740 - 2/1	840	530	168	307	475	470	81	64	25	24	45	M27	12	47	65	85
10000	2m	750 - 2/1	840	530	168	307	475	470	81	64	25	24	45	M27	12	47	65	85
10000	3m	963 - 2/1	1100	625	200	340	540	515	92	66	39	29	60	M36	24	66	55	90
12500	2m	963 - 2/1	1100	625	200	340	540	515	92	66	39	29	60	M36	24	66	55	90
16000	1Am	980 - 2/1	1150	625	200	340	540	515	92	66	39	29	60	M36	24	66	55	90
20000	2m	1100 - 2/1	1330	810	233	452	685	760	138	89	39	40	80	M30*	19	58	75	120
25000	1Am	1125 - 2/1	1330	810	233	452	685	760	138	89	39	40	80	M30*	19	58	75	120

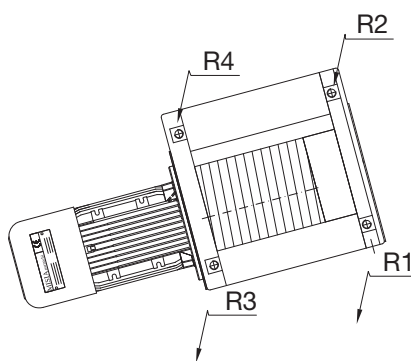
* Non utilizzabile per versione sospesa / Not suitable for suspended version

Dimensioni variabili Variable dimensions

Portata WLL	Gruppo Group	Paranco Hoist type	Corsa gancio Hook travel	l	q	r	LMCI				LMCO				LR	Peso Weight
							mm N	mm V	mm NA	mm VA	mm N	mm V	mm NA	mm VA		
6300	3m	740 - 2/1	13	563	130	83	670	/	670	/	480	/	520	/	45	670
			18	713	160											710
8000	2m	740 - 2/1	25	928	268	133	670	/	670	/	480	/	520	/	45	760
			32	1143	375											810
10000	2m	750 - 2/1	13	563	135	83	670	/	670	/	480	/	520	/	45	680
			18	713	160											720
			25	928	268											770
10000	3m	963 - 2/1	20	840	230	134	760	/	760	/	495	/	535	/	60	820
			32	1255	438											1095
			48	1755	688											1210
12500	2m	963 - 2/1	20	840	230	134	760	/	760	/	495	/	535	/	60	1425
			32	1255	438											1095
			48	1755	688											1210
16000	1Am	980 - 2/1	20	840	230	134	760	/	760	/	495	/	535	/	60	1095
			32	1255	438											1210
			48	1755	688											1425
20000	2m	1100 - 2/1	20	977	305	100	850	/	860	/	555	/	585	/	150	2350
			24	1162	400											2430
			30	1402	520											2690
			44	1912	775											3300
25000	1Am	1125 - 2/1	20	977	305	100	850	/	860	/	555	/	585	/	150	2350
			24	1162	400											2430
			30	1402	520											2690
			44	1912	775											3300

Reazioni statiche Static reactions

S2 - XM 740 / 750 / 963 / 980 / 1100 / 1125
PARANCI TIPO 5 / TIPO 5C1 - HOISTS TYPE 5 / 5C1



Paranco Hoist	Portata Capacity	Corse gancio Hook travel															
		H13				H18				H25				H32			
XM	Kg	R1 daN	R2 daN	R3 daN	R4 daN	R1 daN	R2 daN	R3 daN	R4 daN	R1 daN	R2 daN	R3 daN	R4 daN	R1 daN	R2 daN	R3 daN	R4 daN
740	6300	2252	2426	1019	968	2527	2403	1064	1011	2750	2614	867	824	2891	2748	751	715
740	8000	3192	3035	1250	1188	3158	3003	1304	1240	3437	3268	1051	999	3612	3435	901	857
750	10000	3946	3751	1521	1447	3901	3709	1587	1508	4246	4037	1267	1205	4461	4242	1078	1024
XM	Kg	H20				H32				H48				/			
963	10000	4218	4095	1414	1373	4641	4505	1067	1037	4907	4764	893	866	/	/	/	/
963	12500	5200	5047	1701	1652	5718	5551	1259	1222	6038	5863	1030	999	/	/	/	/
980	16000	6574	6382	2103	2041	7226	7014	1527	1483	7623	7400	1222	1185	/	/	/	/
XM	Kg	H20				H24				H30				H44			
1100	20000	7624	8620	1765	1995	7925	8960	1465	1652	8175	9245	1212	1370	11990	6305	1778	2010
1125	25000	9530	10775	2204	2491	9906	11200	1828	2066	10219	11553	1515	1713	14990	7878	2222	2515

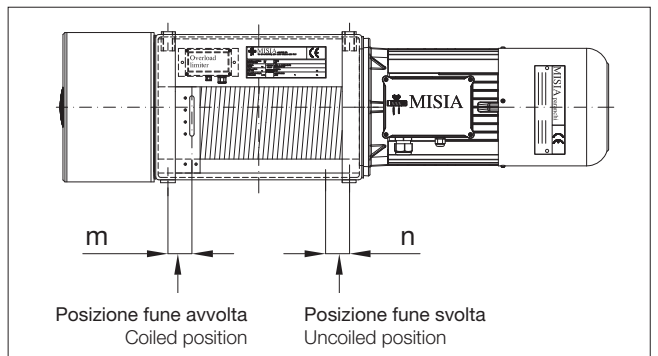
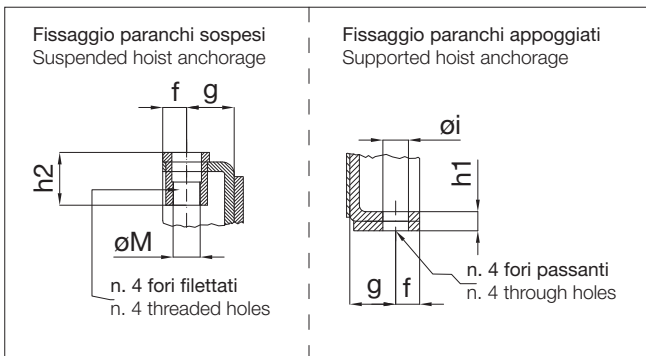
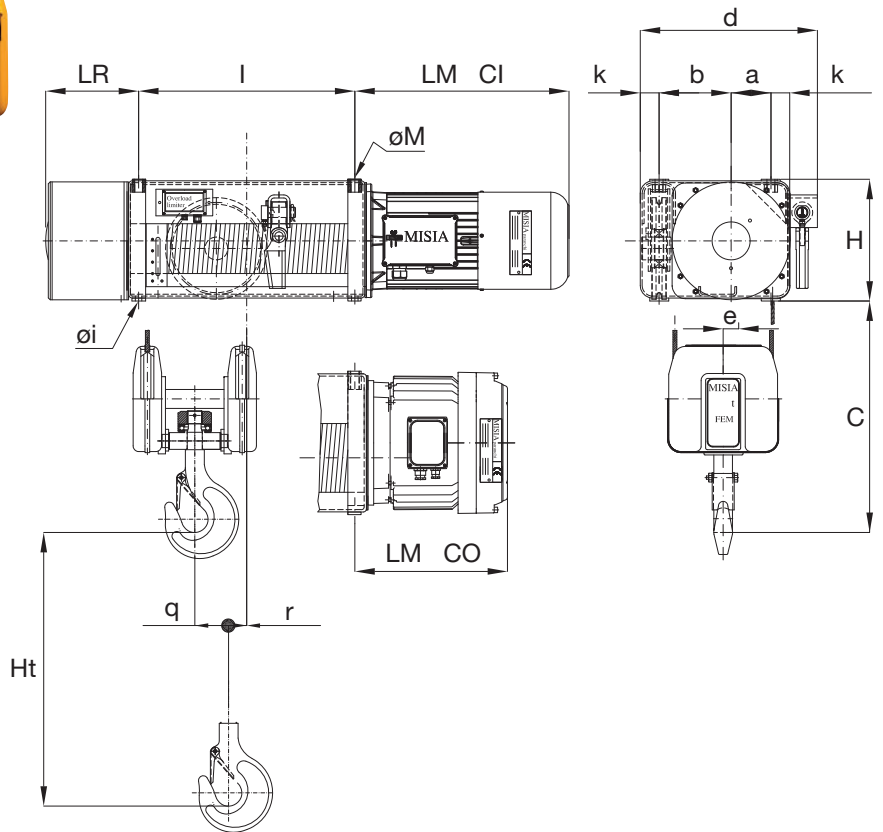


PARANCO A PIEDINI
FOOT MOUNTED HOIST

Paranchi standard SERIE XM
XM SERIES standard hoists

XM 308 / 312 / 316 / 525
Portata Capacity 2÷10 t

S4 4 TIRI DI FUNE (4/1) - 4 ROPE FALLS (4/1)
Tipo 5 APPOGGIATO - SUPPORTED
Tipo 5C1 SOSPESO - SUSPENDED



Paranchi standard SERIE XM
 XM SERIES standard hoists

XM 308 / 312 / 316 / 525

Portata Capacity 2÷10 t

S4 4 TIRI DI FUNE (4/1) - 4 ROPE FALLS (4/1)

Tipo 5 APPOGGIATO - SUPPORTED

Tipo 5C1 SOSPESO - SUSPENDED

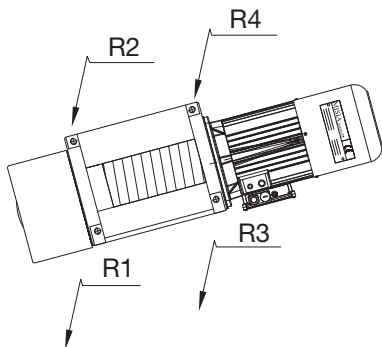
Dimensioni fisse Fixed dimensions

Portata WLL	Gruppo Group	Paranco Hoist type	C	H	a	b	(a+b)	k	e	d	øi	f	g	øM	h1	h2	m	n
Kg	FEM	XM	mm	mm	mm	mm	mm	mm	mm	mm	mm	mm	mm	M	mm	mm	mm	mm
2000	3m	308 - 4/1	520	325	105	190	295	50	27	467	15	19	27	M14	13	28	45	48
3200	2m	308 - 4/1	520	325	105	190	295	50	27	467	15	19	27	M14	13	28	45	48
5000	2m	312 - 4/1	590	325	105	190	295	50	21	467	17	19	27	M20	13	34	48	56
6300	2m	316 - 4/1	640	325	105	190	295	50	21	467	17	19	27	M20	13	34	48	56
10000	2m	525 - 4/1	730	380	133	212	345	53	17	522	21	21	31	M24	18	48	60	61

Dimensioni variabili Variable dimensions

Portata WLL	Gruppo Group	Paranco Hoist type	Corsa gancio Hook travel	l	q	r	LMCI				LMCO				LR	Peso Weight
Kg	FEM	XM	m	mm	mm	mm	mm N	mm V	mm NA	mm VA	mm N	mm V	mm NA	mm VA		Kg
2000	3m	308 - 4/1	7	520	132	25	460	460	490	490	315	375	385	420	200	320
			10	700	222	69										340
3200	2m		13	885	314	115										360
5000	2m	312 - 4/1	7	570	137	19	460	460	490	565	375	420	420	420	250	390
			10	775	240	72										420
			13	975	340	122										450
6300	2m	316 - 4/1	7	570	137	19	460	565	500	565	375	/	420	/	250	480
			10	775	240	72										510
			13	975	340	122										550
10000	2m	525 - 4/1	7	590	133	15	600	650	600	650	415	465	460	505	270	580
			10	795	236	67										620
			13	995	336	117										660

Reazioni statiche Static reactions

S4 - XM 308 / 312 / 316 / 525
PARANCHI TIPO 5 / TIPO 5C1 - HOISTS TYPE 5 / 5C1


Paranco Hoist type	Portata WLL	Corse gancio Hook travel											
		H7				H10				H13			
		R1 daN	R2 daN	R3 daN	R4 daN	R1 daN	R2 daN	R3 daN	R4 daN	R1 daN	R2 daN	R3 daN	R4 daN
308	2000	898	727	329	266	975	789	263	213	1022	828	226	184
308	2500	1106	896	397	321	1200	972	314	254	1258	1020	267	215
308	3200	1398	1132	492	398	1516	1228	384	312	1589	1287	323	261
312	4000	1788	1333	675	504	1957	1459	524	390	2056	1533	442	329
312	5000	2212	1649	824	615	2421	1805	633	471	2542	1896	528	394
316	6300	2774	2069	1027	765	3035	2262	783	585	3188	2377	653	487
525	6300	2726	2097	1100	847	2995	2304	854	657	3154	2425	718	553
525	8000	3423	2633	1364	1050	3761	2893	1049	807	3959	3045	874	672
525	10000	4243	3264	1675	1288	4662	3585	1279	984	4905	3774	1058	813

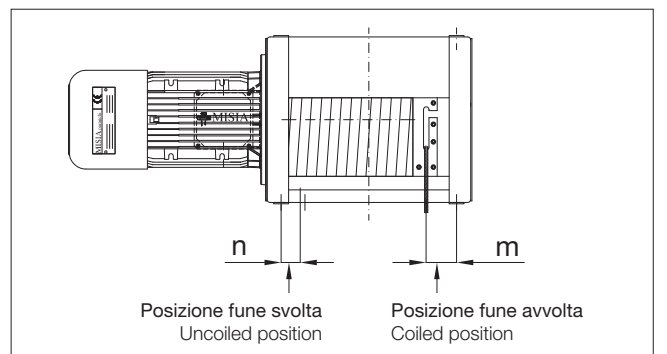
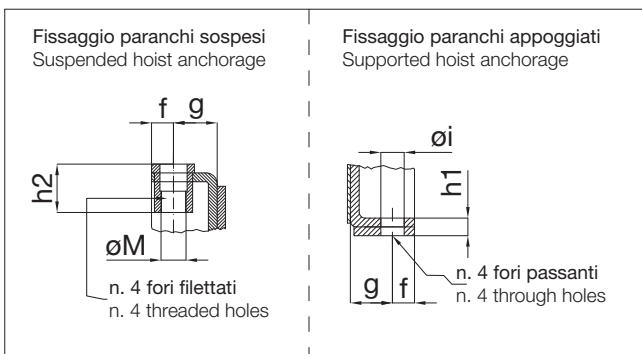
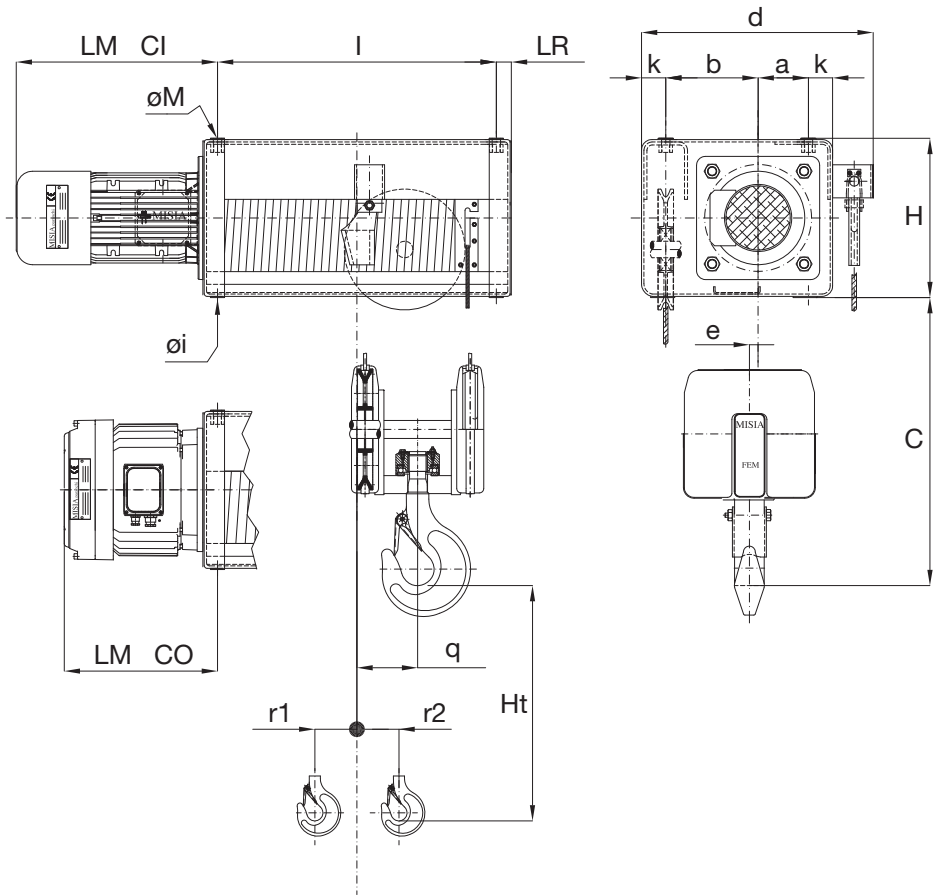
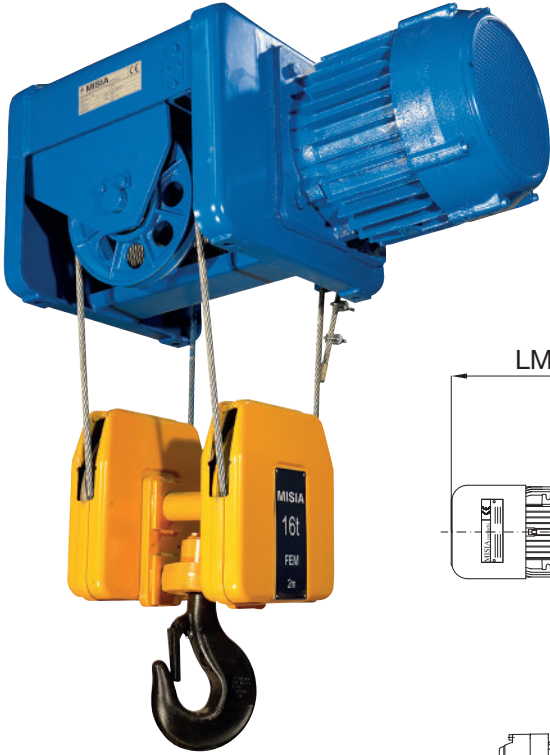


PARANCO A PIEDINI
FOOT MOUNTED HOIST

Paranchi standard SERIE XM
XM SERIES standard hoists

XM 740 / 750 / 963 / 980 / 1100 / 1125
Portata Capacity 12,5÷50 t

S4 4 TIRI DI FUNE (4/1) - 4 ROPE FALLS (4/1)
Tipo 5 APPOGGIATO - SUPPORTED
Tipo 5C1 SOSPESO - SUSPENDED





PARANCO A PIEDINI
FOOT MOUNTED HOIST

Paranchi standard SERIE XM
XM SERIES standard hoists

XM 740 / 750 / 963 / 980 / 1100 / 1125
Portata Capacity 12,5÷50 t

S4 4 TIRI DI FUNE (4/1) - 4 ROPE FALLS (4/1)
Tipo 5 APPOGGIATO - SUPPORTED
Tipo 5C1 SOSPESO - SUSPENDED

Dimensioni fisse Fixed dimensions

Portata WLL	Gruppo Group	Paranco Hoist type	C	H	a	b	s (a+b)	d	k	e	øi	f	g	øM	h1	h2	m	n
Kg	FEM	XM	mm	mm	mm	mm	mm	mm	mm	mm	mm	mm	mm	mm	mm	mm	mm	mm
12500	3m	740 - 4/1	840	530	168	307	475	771	81	30	25	24	45	M27	12	47	65	85
16000	2m	740 - 4/1	840	530	168	307	475	771	81	30	25	24	45	M27	12	47	65	85
20000	2m	750 - 4/1	880	530	168	307	475	771	81	30	25	24	45	M27	12	47	65	85
20000	3m	963 - 4/1	1000	625	200	340	540	860	92	20	39	29	60	M36	24	66	55	90
25000	2m	963 - 4/1	1000	625	200	340	540	860	92	20	39	29	60	M36	24	66	55	90
32000	1Am	980 - 4/1	1100	625	200	340	540	860	92	20	39	29	60	M36	24	66	55	90
40000	2m	1100 - 4/1	1200	810	233	452	685	1140	138	54	39	40	80	M30*	19	58	75	120
50000	1Am	1125 - 4/1	1200	810	233	452	685	1140	138	54	39	40	80	M30*	19	58	75	120

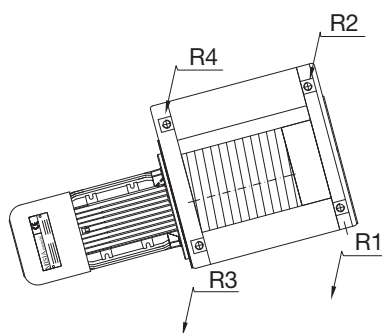
* Non utilizzabile per versione sospesa / Not suitable for suspended version

Dimensioni variabili Variable dimensions

Portata WLL	Gruppo Group	Paranco Hoist type	Corsa gancio Hook travel	l	q	r1	r2	LMCI				LMCO				LR	Peso Weight
								mm N	mm V	mm NA	mm VA	mm N	mm V	mm NA	mm VA		
12500	3m	740 - 4/1	6,5	563	35	71	/	670	/	670	/	480	/	520	/	45	760
			9	713	115	31	/										800
			12,5	928	223	/	22										850
16000	2m	740 - 4/1	16	1143	330	/	76	670	/	670	/	480	/	520	/	45	900
			6,5	563	38	69	/										770
			9	713	115	31	/										810
20000	2m	750 - 4/1	12,5	928	223	/	22	670	/	670	/	480	/	520	/	45	860
			16	1143	330	/	76										910
			10	840	130	52	/										1200
20000	3m	963 - 4/1	16	1255	338	/	51	760	/	760	/	495	/	535	/	60	1350
			24	1755	588	/	177										1530
			10	840	130	52	/										1200
25000	2m	963 - 4/1	16	1255	338	/	51	760	/	760	/	495	/	535	/	60	1350
			24	1755	588	/	177										1530
			10	840	130	52	/										1200
32000	1Am	980 - 4/1	16	1255	338	/	51	760	/	760	/	495	/	535	/	60	1350
			24	1755	588	/	177										1530
			10	840	130	52	/										1200
40000	2m	1100 - 4/1	10	977	193	12	/	850	/	860	/	555	/	585	/	150	2700
			12	1162	285	/	35										2800
			15	1402	405	/	95										3060
			22	1912	660	/	222										3700
50000	1Am	1125 - 4/1	10	977	193	12	/	850	/	860	/	555	/	585	/	150	2700
			12	1162	285	/	35										2800
			15	1402	405	/	95										3060
			22	1912	660	/	222										3700

Reazioni statiche Static reactions

S4 - XM 740 / 750 / 963 / 980 / 1100 / 1125
PARANCI TIPO 5 / TIPO 5C1 - HOISTS TYPE 5 / 5C1



Paranco Hoist	Portata Capacity	Corse gancio Hook travel															
		H6,5				H9				H12,5				H16			
		R1 daN	R2 daN	R3 daN	R4 daN	R1 daN	R2 daN	R3 daN	R4 daN	R1 daN	R2 daN	R3 daN	R4 daN	R1 daN	R2 daN	R3 daN	R4 daN
740	12500	4355	3073	3419	2413	5091	3593	2707	1909	5690	4015	2137	1508	6094	4278	1794	1265
740	16000	5511	3889	4316	3044	6449	4549	3402	2400	7209	5087	2670	1884	7681	5420	2227	1572
750	20000	6832	4821	5340	3767	7999	5645	4196	2960	8946	6311	3279	2314	9351	6725	2723	1921
XM	Kg	H10				H16				H24				/			
963	20000	7899	5816	4311	3174	9270	6826	3026	2228	10084	7425	2316	1705	/	/	/	/
963	25000	9807	7220	5326	3922	11488	8459	3691	2717	12491	9198	2791	2055	/	/	/	/
980	32000	12446	9165	6718	4946	14589	10743	4621	3402	15858	11676	3456	2545	/	/	/	/
XM	Kg	H10				H12				H15				H22			
1100	40000	16232	11670	7040	5060	17345	12468	5928	4265	18360	13200	4915	3532	19670	14140	3610	2595
1125	50000	20290	14587	8798	6325	21678	15585	7410	5327	22947	16497	6141	4415	24584	17675	4503	3238