

T3-T5-T7



➤ QUALITY AND ROBUSTNESS

Tough nylon shell for durable protection against knocks and scrapes, resistant to acid, oil and chemical agents. Protection grade IP65 against dust and water. Can be used in the harshest of working environments. Further protective covering available.

➤ SAFETY ASSURED

Certified as complying with requirements outlined under EN 300220-1 Class 1, this category is reserved only for products classified as highly reliable radio equipment.

➤ BATTERY LIFE BEYOND ALL EXPECTATIONS

Transmitter powered by high capacity internal battery. An operating life of over 1,200 hours depending on the power used, putting an end to traditional limits of battery life expectancy. The battery is easily replaced and widely available at a reasonable price. Also supplied is an emergency kit that uses standard AA batteries (either 1.5V alkaline or 1.2V rechargeable).

➤ TECHNICAL SPECIFICATIONS

Frequency: 869.700 – 870.000 MHz, 11 channels, 25 KHz
Frequency: 433.050 – 434.790 MHz, 60 channels, 25 KHz
Frequency: 2.4 GHz, 40 channels, 2 MHz
Hamming code: > 4
Maximum no. of simultaneous on/off commands: 8
Command response time: 50 ms
Stop/Active Emergency response time: 50 ms
Passive Emergency response time: 1 s
Range of control: approx. 100 m
Working and storage temperature: -20°C/+70°C
Emergency Stop: Category 3 PL-D

➤ RECEIVER UNIT

Receiver radio frequency: Single Chip
Antenna: Integrated
Commands relay contacts capacity: 4A /115 Vac.
Stop relay contacts capacity: 4A /115 Vac.
Power supply: 12-24 V_{DC} 1.0A, 24-48V_{AC}/V_{DC} 0.4A, 48-115V_{AC}/V_{DC} 0.4A, 230V 0.2 A
Watertight casing for external mounting: Nylon - IP65
Dimensions Rx-T7: 266x169x89 mm (LxWxD)
Dimensions Ecobox: 176x124x50 mm (LxWxD)
DIN-T7 for mounting on DIN bar: IP20
Dimensions Rx-DIN T7: 158x90x75 mm (LxWxD)

➤ TRANSMITTER UNIT

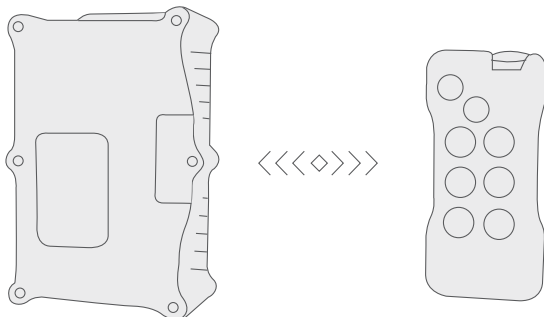
Modulation: FM Manchester code
Signal output: from 1 to 10 mW
Oscillator: Digital PLL
Antenna: Integrated
Power supply: 3.6 V_{DC}.
Power consumption: from 13,5 mA to 24 mA
Battery: Li-ion 3.6V
Working autonomy: up to 1200 hours (20°C)
Low battery warning: at 30 hours left
Casing protection: IP 65
Dimensions: 174x85x37 mm (LxWxD)
Weight: 350 g

T3-T5-T7



➤ RECEIVERS FOR T3, T5 & T7

Receivers are supplied with assembly kit and wiring connector strip. Available to mount inside the electric panel (Rx-DIN T7), in a watertight casing for external mounting (Rx-T7) or in a compact casing for smaller spaces (Ecobox).



➤ REMSYS CODE

If a transmitter is out of action, the patented "REMSYS CODE" system allows its immediate substitution and link up with the same receiver using a simple comand sequence.

- Possibility of setting start-up at low power so that the machine starts only at close proximity.
- Transmission power can also be set to low in order to reduce range of action and increase battery life.

➤ ANTENNAS FOR ALL PURPOSES

The Active2 antenna has an attractive and innovative design. Robust and reliable, it is waterproof and compatible with all applications. Also available are directional, flat and high gain antennas.



➤ QUICK AND EASY INSTALLATION

From the transmitter it is possible to:

- Change the frequency with help from the flashing led channel indicator.
- Program automatic switch-off functions.
- Set the radio output power.
- Enable low power start-up.
- Program the auxiliary button to meet operational demands: for example A/B or A+B mode, without having to reprogram software or move the dip-switch inside the receiver unit.

